

COMPONENTS FOR ELECTRIFIED TRACK SKYNE TRACK

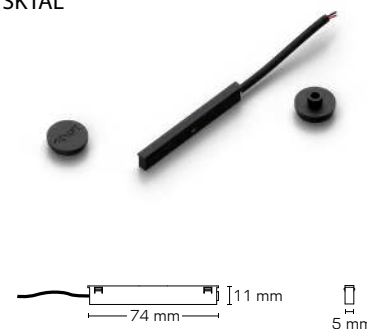
POWER SUPPLY MODULE KIT

Recessed power feed end-cap kit with 3 m cable and end caps (closed and cable pass-through).

Nominal current and rated voltage 5A/60V dc

Material Polycarbonate body
Copper alloy contacts

Code: SKTAL



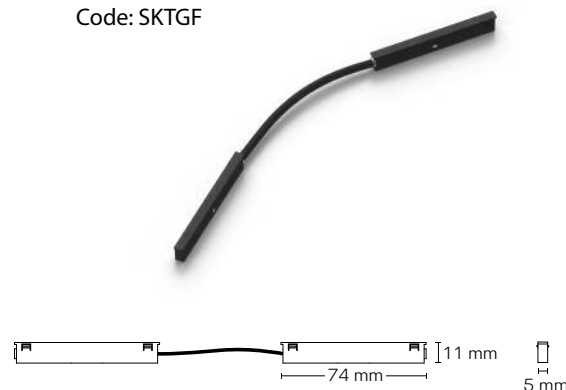
POWER SUPPLY MODULE

Flexible electrical feed connector.

Nominal current and rated voltage 5A/60V dc

Material Polycarbonate body
Copper alloy contacts

Code: SKTGF



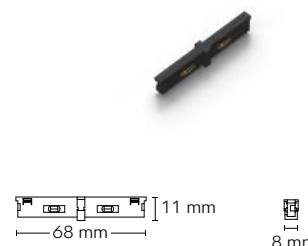
TRACK POWER EXTENSION

Electrical through-connector for serial connection of multiple Skyne profiles.

Nominal current and rated voltage 5A/60V dc

Material Polycarbonate body
Copper alloy contacts

Code: SKTGP



UNIVERSAL SUSPENSIONS ADAPTER

Electrical connector with plug-in interface for pendant light connection.

Nominal current and rated voltage 5A/60V dc

Material Polycarbonate body
Copper alloy contacts

Code: SKTAS

