

Light Dot T - OPAL Lens

Light Dot lamps are made of die-cast aluminum alloy and feature an IP20 protection rating.

The Light Dot T track-mounted spotlight version, with adapter integrated directly into the lamp body, allows for quick and easy installation, ensuring direct light emission that is perfectly perpendicular.

TECHNICAL SPECIFICATIONS

Standard	IEC/EN 602208 IEC/EN 60670-1
Material	Aluminum alloy Opal lens in borosilicate glass
Treatment	Electrolytic deposition of high-thickness copper (protective treatment on request)
Protection grade IP	IP20
Impact resistance	IK08
Isolation class	I
Storage temperature	-50°C - +90°C
Operating temperature	-40°C - +90°C
Bulb fitting	LED Module

LDTLO

Ø 100 - H 58



COLOR AVAILABLE



Silver



Copper



Black
RAL 9005



White
RAL 9010



Crock
RAL 8004



Graphite



Corten



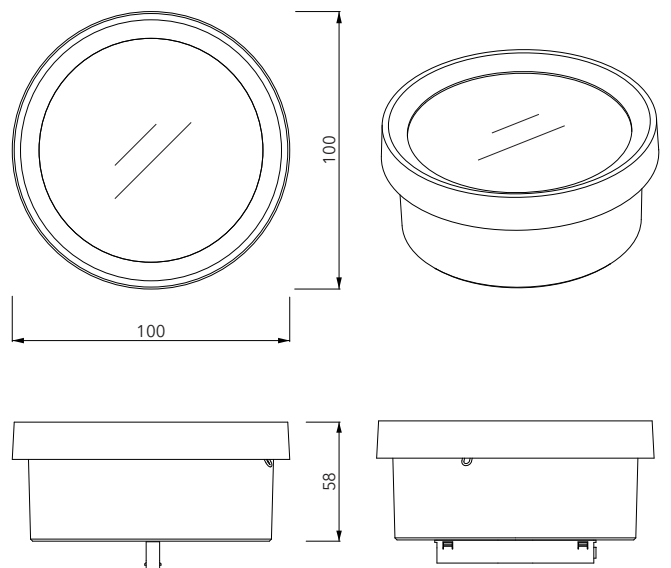
Sage
RAL 6011



Coral
RAL 2012



Sand
RAL 6016



Light Dot T - FRESNEL Lens

Light Dot lamps are made of die-cast aluminum alloy and feature an IP20 protection rating.

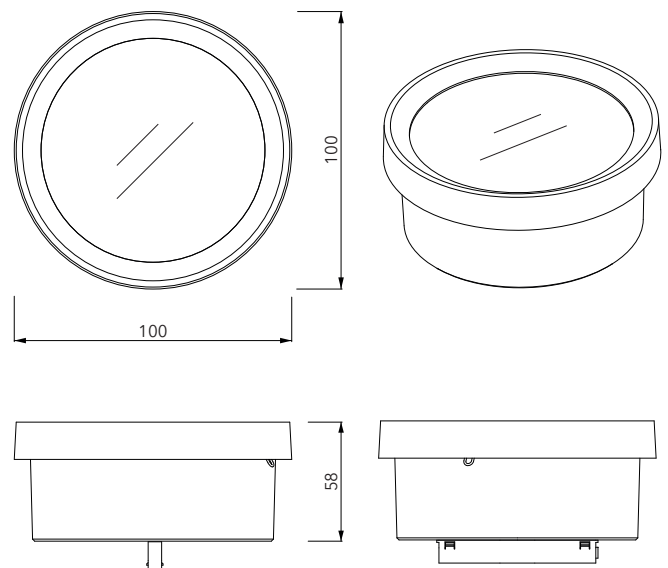
The Light Dot T track-mounted spotlight version, with adapter integrated directly into the lamp body, allows for quick and easy installation, ensuring direct light emission that is perfectly perpendicular.

TECHNICAL SPECIFICATIONS

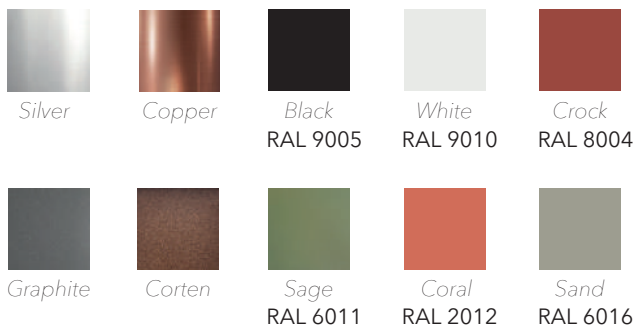
Standard	IEC/EN 602208 IEC/EN 60670-1
Material	Aluminum alloy, Fresnel lens in borosilicate glass
Treatment	Electrolytic deposition of high-thickness copper (protective treatment on request)
Protection grade IP	IP40
Impact resistance	IK08
Isolation class	I
Storage temperature	-50°C - +90°C
Operating temperature	-40°C - +90°C
Bulb fitting	LED Module

LDTLF

Ø 100 - H 58



COLOR AVAILABLE



LED MODULE Ø46

Constant voltage LED module, with PWM current input or DC current input.

Max power 9W

Luminous flux max 1279 lm.

There are 20 LEDs Liteon AZL for minimum CRI 80.

Internal module configuration: N. 4 parallel from N. 5 LEDs in series.



TECHNICAL SPECIFICATIONS

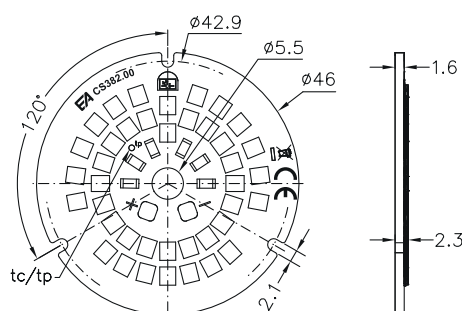
Standard	EN62031 EN62471
LED module	With PWM Current Input Input to DC Current
Temperature	2700 K 3000 K
Lumen	1210 lm 1279 lm
Voltage	24V
Printed circuit material	IMS
Printed circuit board	UL
Protection grade	IP20
Dimmerable	With standard power supply with Dali, Triac technology, Push, 0-10V, 1-10V
Beam angle	120°
LED numbers	48
PCB	IMS 1.6 mm
LED Type	OSRAM*2835
RA/CRI	Standard CRI>80,
Sep MacAdam (SDCM)	3
R9	CRI 80 ≥ 0
Factor of Safety (FoS)	1
Lumen maintenance factor	L70-B50>70.000h @tc=90°C/TM21
Maximum operating voltage of insulation	60V

RICL4627

Dimensions (mm)
Ø 46 - 1.6 x 2.5

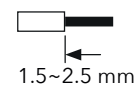
RICL4630

Dimensions (mm)
Ø 46 - 1.6 x 2.5



Cablaggio / Wiring

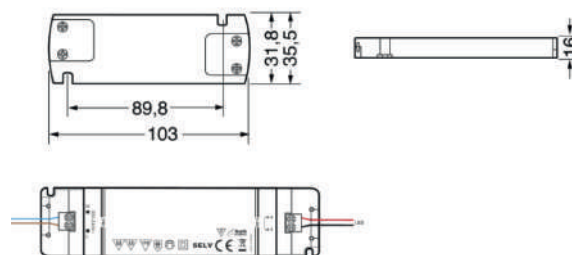
Conduttore rigido - Solid conductor
Conduttore flessibile - Flexible conductor
0.25~0.75mm² / AWG24~AWG18



AVAILABLE DRIVERS

AM6

Driver Mini 6W - 500 Ma



*Module RICL4627 or RICL4630, RICL7027 or RICL7030, integrated depending on the model chosen.

*Illustrative images only.

Please note that Genuit does not assume responsibility in the event that the lamps and/or drivers supplied are not the same as the above

