

Light Dot 130 TB - OPAL Lens

Light Dot lamps are made of die-cast aluminum alloy and feature an IP20 protection rating.

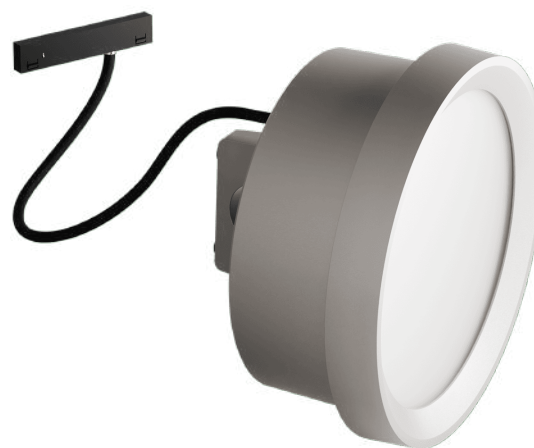
The Light Dot TB track-mounted spotlight version, with bracket and adapter fully integrated into the luminaire body, allows precise positioning. The projector can be oriented along its axis to achieve the desired rotation.

TECHNICAL SPECIFICATIONS

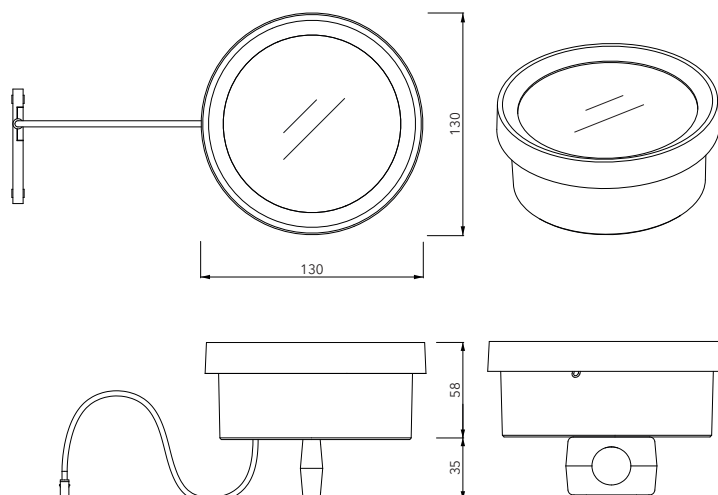
Standard	IEC/EN 602208 IEC/EN 60670-1
Material	Aluminum alloy Opal lens in borosilicate glass
Treatment	Electrolytic deposition of high-thickness copper (protective treatment on request)
Protection grade IP	IP20
Impact resistance	IK08
Isolation class	I
Storage temperature	-50°C - +90°C
Operating temperature	-40°C - +90°C
Bulb fitting	LED Module

LDT5LO

Ø 130 - H 58



COLOR AVAILABLE



Light Dot 130 TB - FRESNEL Lens

Light Dot lamps are made of die-cast aluminum alloy and feature an IP20 protection rating.

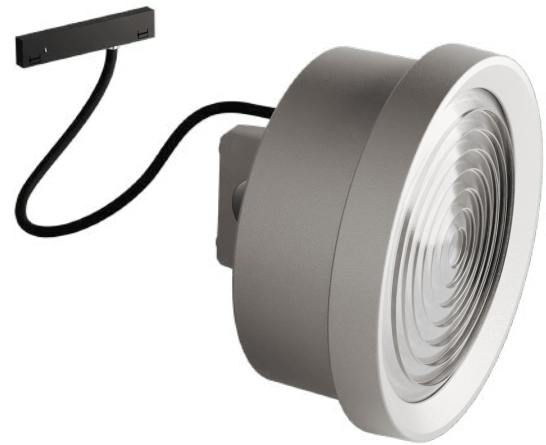
The Light Dot TB track-mounted spotlight version, with bracket and adapter fully integrated into the luminaire body, allows precise positioning. The projector can be oriented along its axis to achieve the desired rotation.

TECHNICAL SPECIFICATIONS

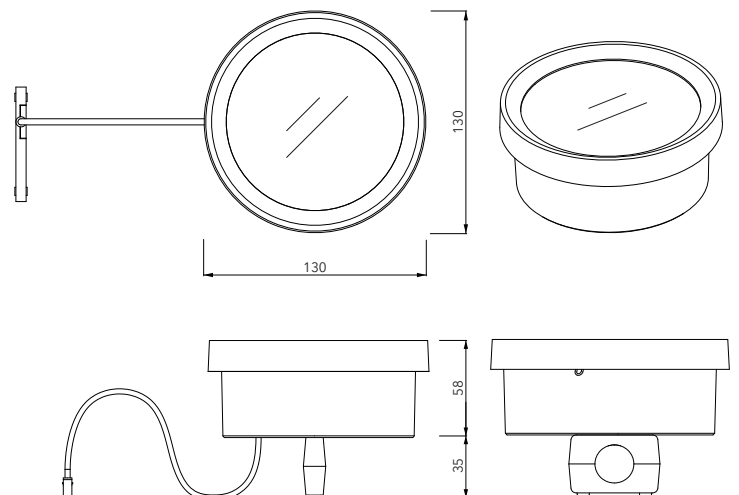
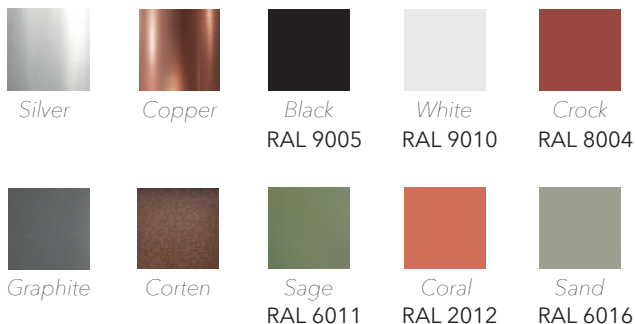
Standard	IEC/EN 602208 IEC/EN 60670-1
Material	Aluminum alloy, Fresnel lens in borosilicate glass
Treatment	Electrolytic deposition of high-thickness copper (protective treatment on request)
Protection grade IP	IP40
Impact resistance	IK08
Isolation class	I
Storage temperature	-50°C - +90°C
Operating temperature	-40°C - +90°C
Bulb fitting	LED Module

LDTSLF

Ø 130 - H 58



COLOR AVAILABLE



LED MODULE Ø70

Constant voltage LED sheet, 24vdc
 Max power 17W
 Luminous flux max 2379 lm.
 Designed for micro push connectors for quick connection of cables. Not self dissipate.



TECHNICAL SPECIFICATIONS

Standard	EN62031 EN62471 IEC TR62778
LED module	With PWM Current Input Input to DC Current
Temperature	2700 K 3000 K
Lumen	2312 lm 2379 lm
Voltage	24V
Printed circuit material	IMS
Printed circuit board	UL
Protection grade	IP20
Dimmerable	With standard power supply with Dali, Triac technology, Push, 0-10V, 1-10V
Beam angle	120°
LED numbers	48
PCB	IMS 1.6 mm
LED Type	OSRAM*2835
RA/CRI	Standard CRI>80
Sep MacAdam (SDCM)	3
R9	CRI 80 ≥ 0
Factor of Safety (FoS)	1
Lumen maintenance factor	L70-B50>85.000h @tc=90°C/TM21
Maximum operating voltage of insulation	60V

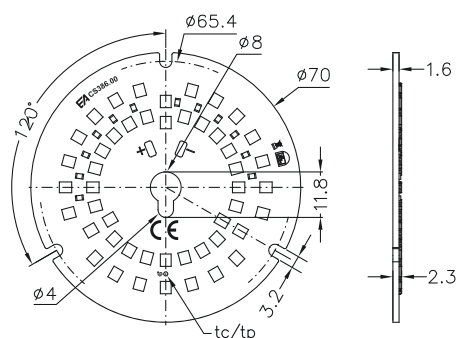
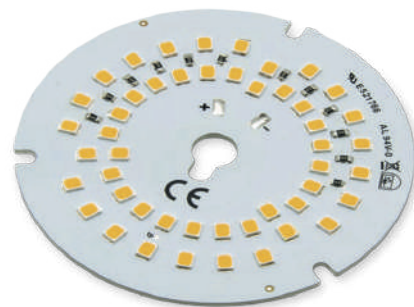
*Module RICL10030, RICL7027 or RICL7030, integrated depending on the model chosen.

RICL7027

2700K
 Dimensions (mm)
 Ø 70 - H 2.5 mm
 (H 5 with micro push)

RICL7030

3000K
 Dimensions (mm)
 Ø 70 - H 2.5 mm
 (H 5 with micro push)



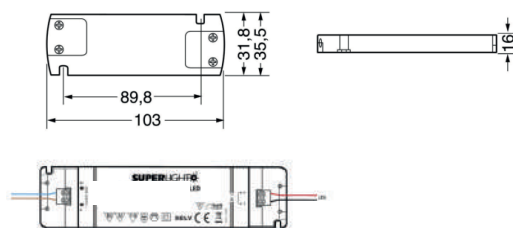
AVAILABLE DRIVERS

AL20

LED 24V - 20W

AL30

LED 24V - 30W



*Illustrative images only.

Please note that Genuit does not assume responsibility in the event that the lamps and/or drivers supplied are not the same as the above figures.

