

DOTBOX Connex Dot COLOR

Dotbox, the "focal point" of visible implants. Designed for both modern and historic environments, it is a versatile product capable of integrating sockets, switches and can also become a luminous body, thus offering the freedom to express your creativity and tracing new constellations. The DOTBOX system is an aluminum alloy product obtained by die-casting with IP40 grade of protection. Along the perimeter it is possible to make up to eight punctures, with increments of 45°, following the traces of the mask supplied.

TECHNICAL SPECIFICATIONS

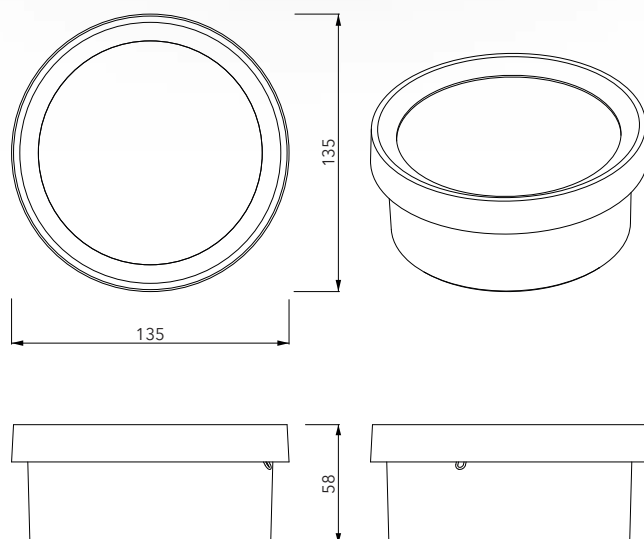
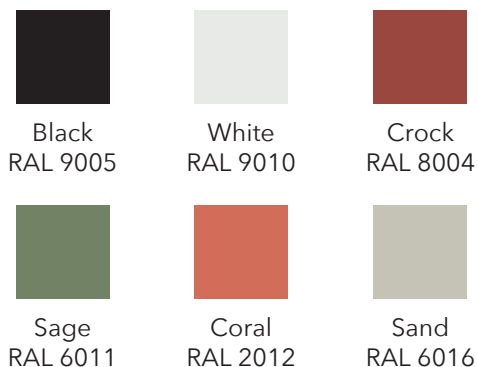
Standard	IEC/EN 602208 IEC/EN 60670-1
Material	Aluminum alloy
Treatment	Powder coating (protective treatment on request)
Protection grade IP	IP40
Impact resistance	IK10
Isolation class	I
Hole fitting*	Ø 26 to drill for Ø 22 tube
Storage temperature	-50°C - +90°C
Operating temperature	-40°C - +90°C

CD-color

Ø 135 - H 58



RAL COLORS



*Quick-action coupling included